

RECOMMENDED SPARE PARTS FOR USE IN A SERVICE DEPARTMENT

Note: The listed spare parts are mainly modules.

In case of a problem:

Please first fill in the problem report (also in this manual) and fax it to us.

We will then assist you with the repair of the unit.

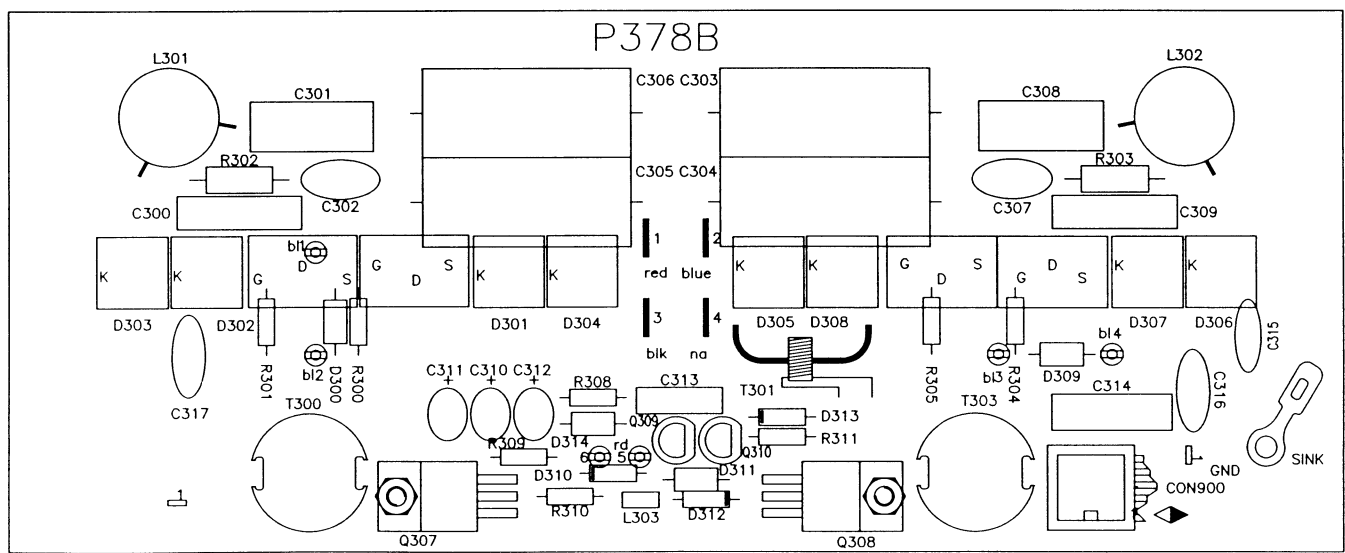
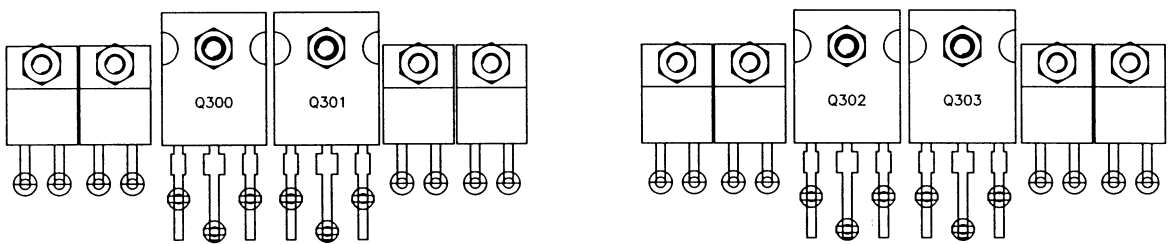
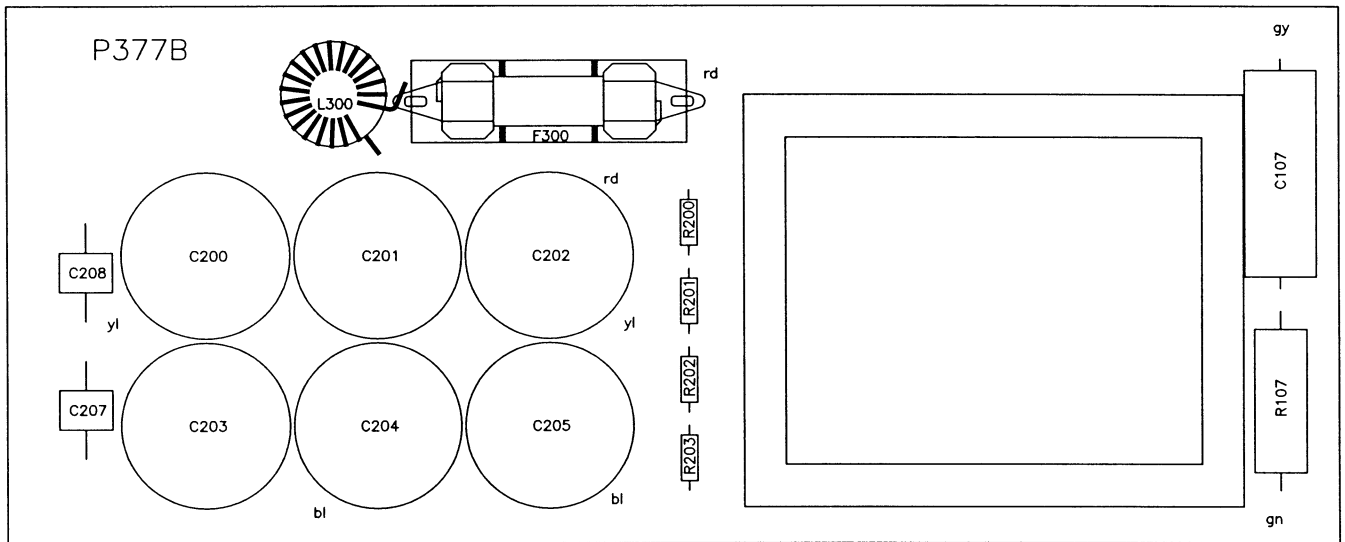
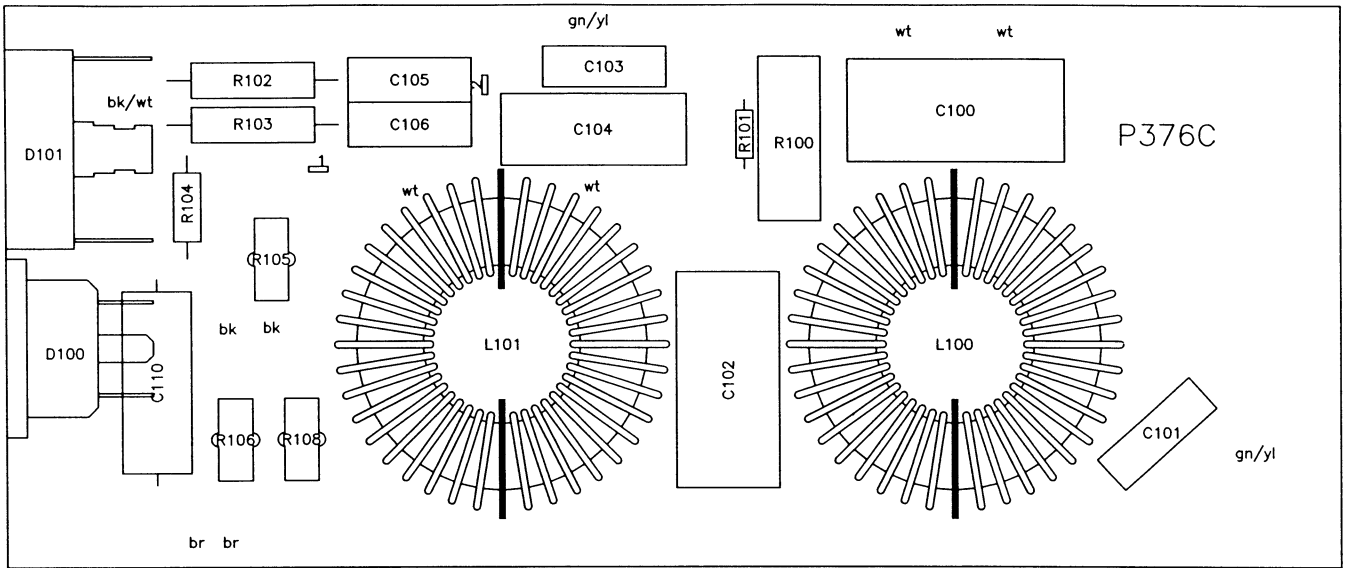
Defective modules can be send to us for repair.

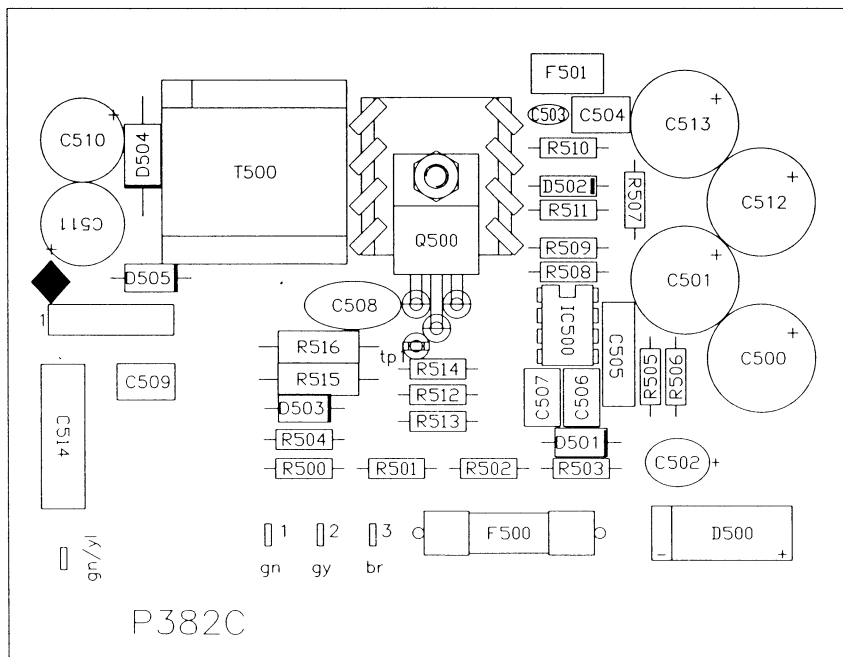
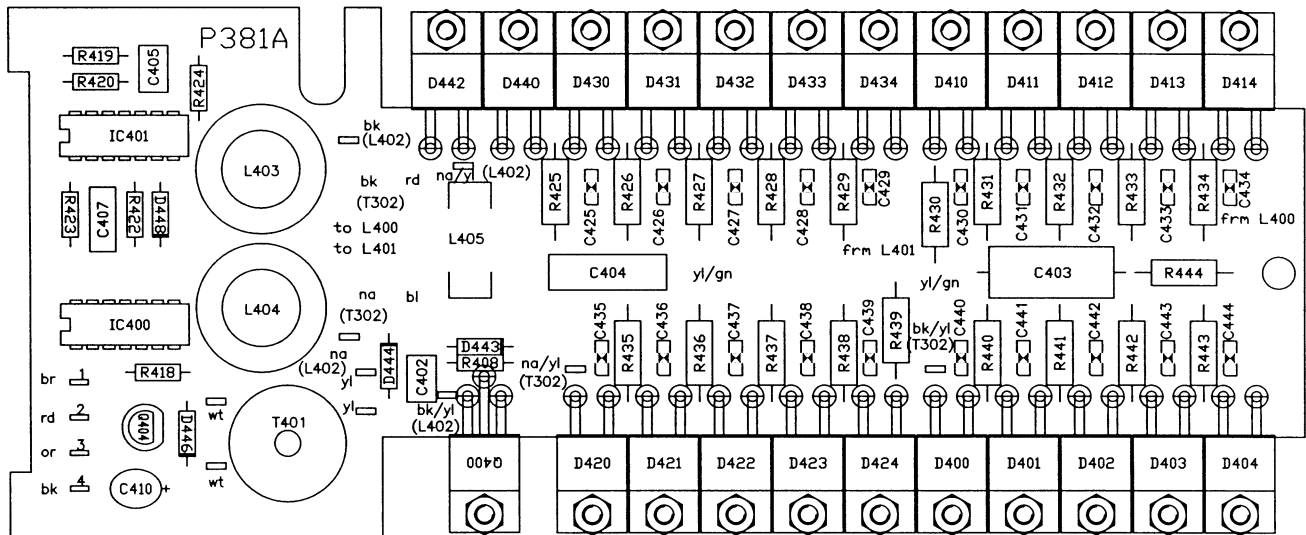
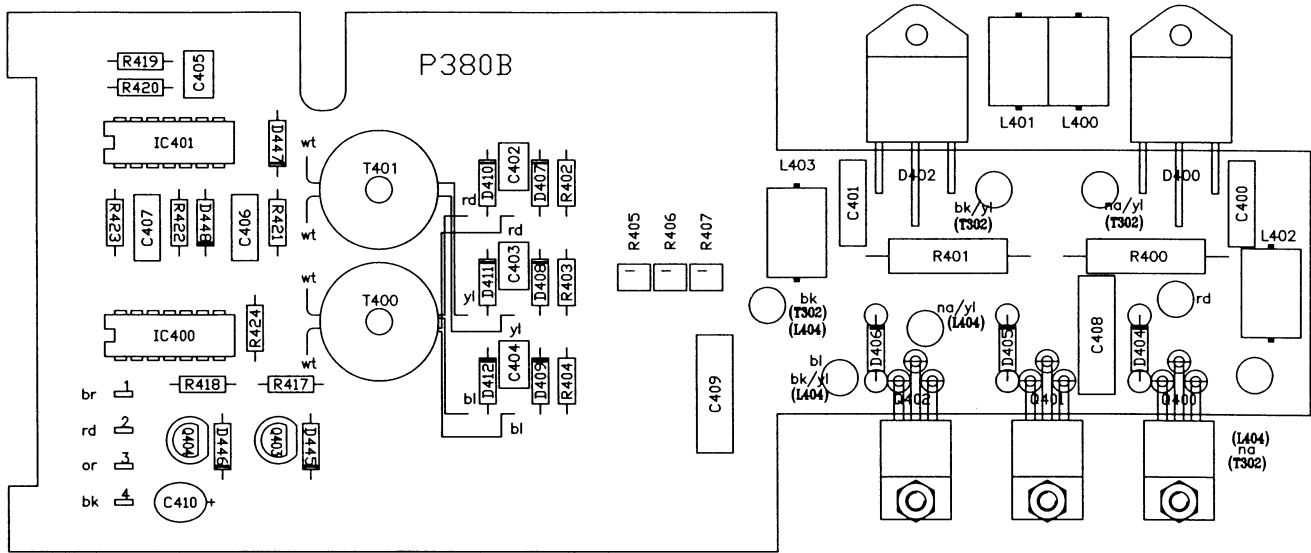
Quantity	Order code	Description
5	FUSE PTC .65	fuse for programming input
4	FUSE 5X20 8T (230V) FUSE 5X20 16T (110V)	input fuses
5	JUMP 0830 DIP	8 pole flat cable, with dip connectors
1	SKB 25-06	input bridge rectifier
2	16ER 15	15 ohm resistors for inrush current limiter
3	10SL 5K	potmeter, 5 kOhm, 10 turns
1	P378 + FUSE 6X32 6.3FF	switch unit + special fuse
1	P384	analog control board
1	P383	digital control board
1	P382	auxiliary power supply

Only for SM1540		
Quantity	Order code	Description
4	60HQ100	output rectifiers

Only for SM7020		
Quantity	Order code	Description
1	P380	output rectifier board, SM7020-D

Only for SM3004		
Quantity	Order code	Description
1	P381	output rectifier board, SM3004-D

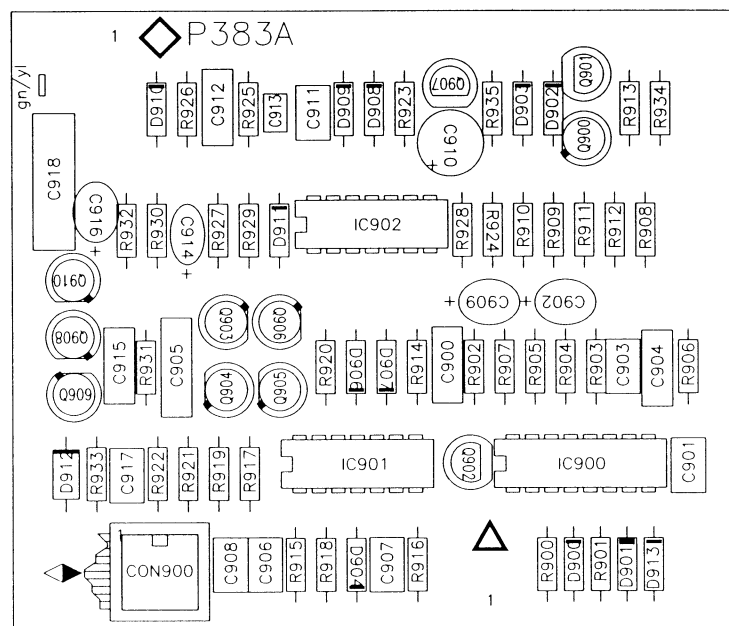




MAIN SECTION

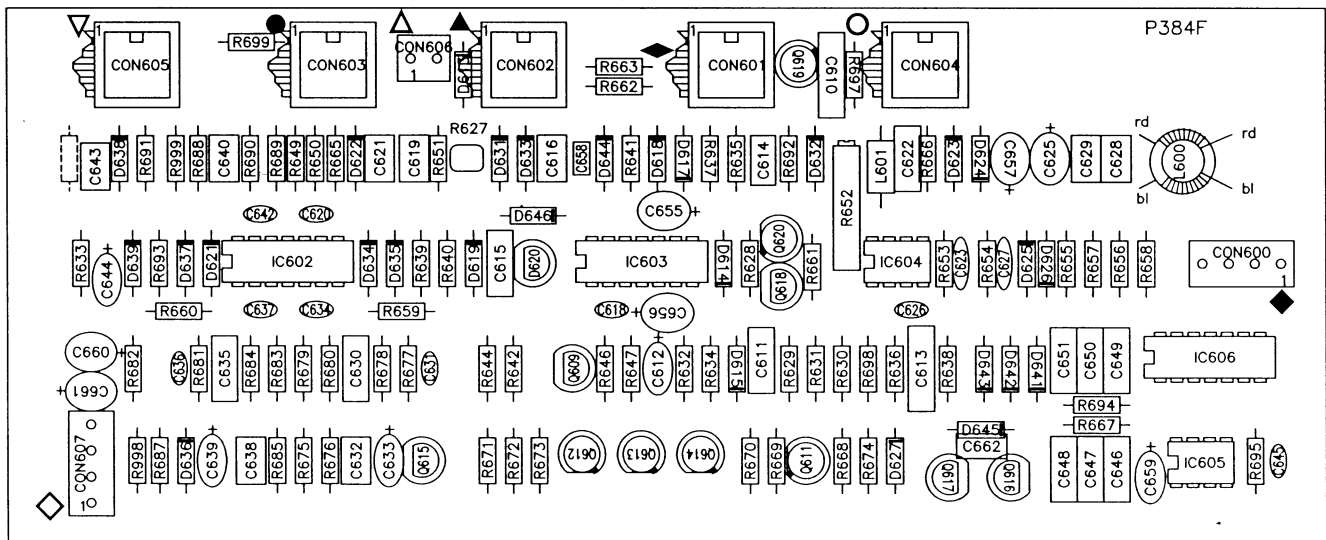
C100	=	1UF 250V RMS	X2
C101	=	4700PF 250V Y2	VISHA
C102	=	1UF 250V RMS	X2
C103	=	3300PF 250V Y2	VISHA
C104	=	0.22UF 250V RMS	X2
C105	=	22NF 630V	POLYPROP
C106	=	22NF 630V	POLYPROP
C107	=	1.5UF 250V	MET POLYES
C108	=	470PF 400V RMS	SAFETY
C109	=	68NF 250V RMS	X2
C110	=	0.33UF 400V	MET POYES
C200	=	680UF200	CHEM-CON
C201	=	680UF200	CHEM-CON
C202	=	680UF200	CHEM-CON
C203	=	680UF200	CHEM-CON
C204	=	680UF200	CHEM-CON
C205	=	680UF200	CHEM-CON
C207	=	N81-A230	SIEMENS
C208	=	N81-A230	SIEMENS
C300	=	2.7NF 1000V	POLYPROP
C301	=	10NF 630V	POLYPROP
C302	=	100PF 1000V	CERAMIC
C303	=	1UF 400V	MET POLYES
C304	=	1UF 400V	MET POLYES
C305	=	1UF 400V	MET POLYES
C306	=	1UF 400V	MET POLYES
C307	=	100PF 1000V	CERAMIC
C308	=	10NF 630V	POLYPROP
C309	=	2.7NF 1000V	POLYPROP
C310	=	15UF 16V	SOLID ALU
C311	=	15UF 16V	SOLID ALU
C312	=	15UF 16V	SOLID ALU
C313	=	0.22UF 63V	MET POLYES
C314	=	10NF 1000V	MET POLYES
C315	=	2200PF 250V	CERAMIC
C316	=	470PF 400V RMS	SAFETY
C317	=	33PF 400V RMS	SAFETY
C500	=	22UF 250V	CHEMI-CON
C501	=	22UF 250V	CHEMI-CON
C502	=	22UF 16V	SOLID ALU
C503	=	100PF 1000V	CERAMIC
C504	=	2200PF 100V	POLYPROP
C505	=	10NF 630V	MET POLYES
C506	=	2200PF 100V	POLYPROP
C507	=	2200PF 100V	POLYPROP
C508	=	100PF 1000V	CERAMIC
C509	=	1000PF 100V	POLYPROP
C510	=	220UF 35V	ERO
C511	=	220UF 35V	ERO
C512	=	22UF 250V	CHEMI-CON
C513	=	22UF 250V	CHEMI-CON
C514	=	10NF 1000V	MET POLYES
C610	=	0.22UF 63V	MET POLYES
C611	=	10NF 250V	MET POLYES
C612	=	2.2UF 25V	SOLID ALU
C613	=	0.22UF 63V	MET POLYES

C614	=	330NF 50V	MULT LAYER
C615	=	47NF 250V	MET POLYES
C616	=	2200PF 100V	POLYPROP
C618	=	100PF 1000V	CERAMIC
C619	=	1000PF 100V	POLYPROP
C620	=	100PF 1000V	CERAMIC
C621	=	470PF 100V	POLYPROP
C622	=	22NF 250V	MET POLYES
C623	=	47PF 1000V	CERAMIC
C625	=	15UF 16V	SOLID ALU
C626	=	470PF 500V	CERAMIC
C627	=	47PF 1000V	CERAMIC
C628	=	2200PF 100V	POLYPROP
C629	=	2200PF 100V	POLYPROP
C630	=	22NF 250V	MET POLYES
C631	=	100PF 1000V	CERAMIC
C632	=	470PF 100V	POLYPROP
C633	=	2.2UF 25V	SOLID ALU
C634	=	100PF 1000V	CERAMIC
C635	=	10NF 250V	MET POLYES
C636	=	100PF 1000V	CERAMIC
C637	=	100PF 1000V	CERAMIC
C638	=	2200PF 100V	POLYPROP
C639	=	2.2UF 25V	SOLID ALU
C640	=	470PF 100V	POLYPROP
C642	=	100PF 1000V	CERAMIC
C643	=	470PF 100V	POLYPROP
C644	=	2.2UF 25V	SOLID ALU
C645	=	15PF 500V	CERAMIC
C646	=	10NF 250V	MET POLYES
C647	=	10NF 250V	MET POLYES
C648	=	10NF 250V	MET POLYES
C649	=	10NF 250V	MET POLYES
C650	=	10NF 250V	MET POLYES
C651	=	10NF 250V	MET POLYES
C655	=	15UF 16V	SOLID ALU
C656	=	15UF 16V	SOLID ALU
C657	=	15UF 16V	SOLID ALU
C658	=	0.01UF 100V	MULT LAYER
C659	=	2.2UF 25V	SOLID ALU
C660	=	15UF 16V	SOLID ALU
C661	=	15UF 16V	SOLID ALU
C662	=	330NF 50V	MULT LAYER
C702	=	10NF 1000V	MET POLYES
C703	=	2.2UF 25V	SOLID ALU
C704	=	2.2UF 25V	SOLID ALU
C705	=	2.2UF 25V	SOLID ALU
C706	=	2.2UF 25V	SOLID ALU
C707	=	330NF 50V	MULT LAYER
C708	=	330NF 50V	MULT LAYER
C850	=	220NF 100V	MULT LAYER
C852	=	220NF 100V	MULT LAYER
C853	=	220NF 100V	MULT LAYER
C854	=	220NF 100V	MULT LAYER
C855	=	220NF 100V	MULT LAYER
C857	=	220NF 100V	MULT LAYER
C858	=	220NF 100V	MULT LAYER
C859	=	220NF 100V	MULT LAYER
C860	=	220NF 100V	MULT LAYER



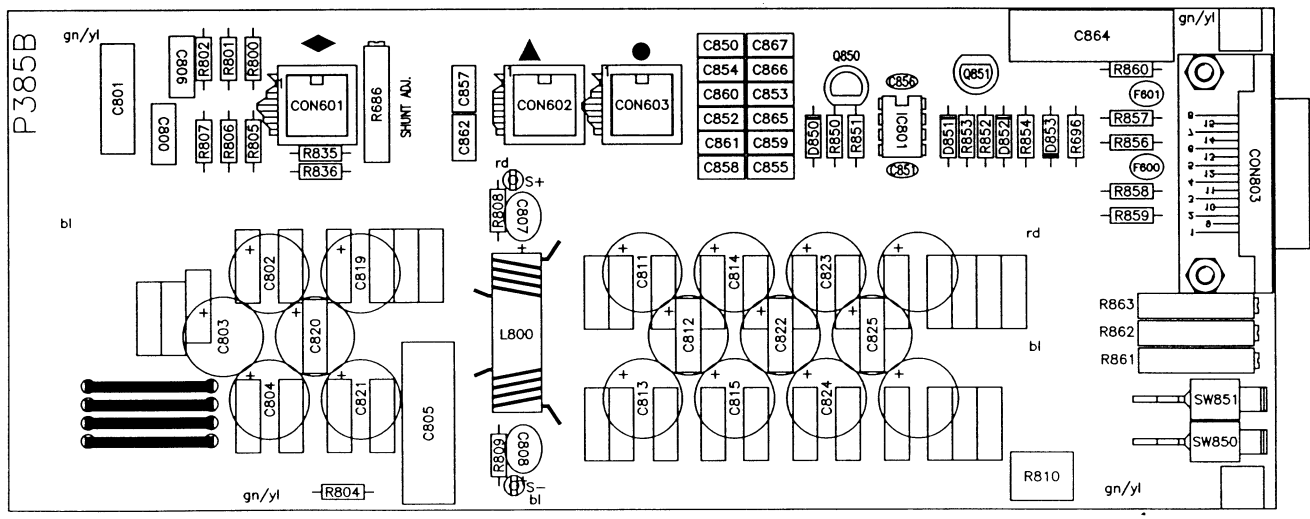
C861	=	220NF 100V	MULT LAYER
C862	=	220NF 100V	MULT LAYER
C864	=	0.22UF 250V	RMS X2
C865	=	220NF 100V	MULT LAYER
C866	=	220NF 100V	MULT LAYER
C867	=	220NF 100V	MULT LAYER
C900	=	47NF 250V	MET POLYES
C901	=	1000PF 100V	POLYPROP
C902	=	15UF 16V	SOLID ALU
C903	=	1000PF 100V	POLYPROP
C904	=	10NF 250V	MET POLYES
C905	=	0.22UF 63V	MET POLYES
C906	=	150PF 100V	POLYPROP
C907	=	220PF 100V	POLYPROP
C908	=	2200PF 100V	POLYPROP
C909	=	15UF 16V	SOLID ALU
C910	=	47UF 63V	ERO
C911	=	1000PF 100V	POLYPROP
C912	=	22NF 250V	MET POLYES
C913	=	0.1UF 100V	MULT LAYER
C914	=	2.2UF 25V	SOLID ALU
C915	=	47NF 250V	MET POLYES
C916	=	15UF 16V	SOLID ALU
C917	=	4700PF 63V	POLYPROP
C918	=	10NF 1000V	MET POLYES
D100	=	BTA 25-700B	ST
D101	=	GPBC35-10	GEN.INSTR.
D300	=	SA13CA	
D301	=	STTA 806 DI	ST
D302	=	STTA 806 DI	ST
D303	=	STTA 806 DI	ST
D304	=	STTA 806 DI	ST
D305	=	STTA 806 DI	ST
D306	=	STTA 806 DI	ST
D307	=	STTA 806 DI	ST
D308	=	STTA 806 DI	ST
D309	=	SA13CA	
D310	=	1N4148	PHILIPS
D311	=	1N5818	MOTOROLA
D312	=	ZPY20	ITT
D313	=	BZX55-C15	ITT
D314	=	1N5818	MOTOROLA
D500	=	SKB2-12L5A	SEMIKRON
D501	=	BYV26B	PHILIPS
D502	=	1N4148	PHILIPS
D503	=	BYV26B	PHILIPS
D504	=	BYV28-200	PHILIPS
D505	=	BYV26B	PHILIPS
D613	=	BZX85-C5V6	ITT
D614	=	1N4148	PHILIPS
D615	=	1N4148	PHILIPS
D617	=	1N4148	PHILIPS
D618	=	BZX55-C12	ITT
D619	=	ZPD 8.2	ITT
D620	=	TL431ILP	TEXAS
D621	=	1N4148	PHILIPS
D622	=	BZX55-C12	ITT
D623	=	BAS45	PHILIPS
D624	=	BAS45	PHILIPS

D625	=	1N4148	PHILIPS
D626	=	1N4148	PHILIPS
D627	=	BZX85-C5V6	ITT
D631	=	1N4148	PHILIPS
D632	=	1N4148	PHILIPS
D633	=	1N4148	PHILIPS
D634	=	1N4148	PHILIPS
D635	=	1N4148	PHILIPS
D636	=	ZPD 8.2	ITT
D637	=	1N4148	PHILIPS
D638	=	BZX55-C12	ITT
D639	=	ZPD 8.2	ITT
D641	=	BZX85-C12	ITT
D642	=	BZX85-C12	ITT
D643	=	BZX85-C12	ITT
D644	=	ZPD 8.2	ITT
D645	=	BZX55-C12	ITT
D646	=	ZPY 5.1	ITT
D700	=	LED 3MM GREEN	
D701	=	LED 3MM RED TELEFUNKEN	
D702	=	LED 3MM GREEN	
D900	=	1N4148	PHILIPS
D901	=	ZPD 6.2V	ITT
D902	=	BZX55-C10	ITT
D903	=	ZPD 8.2	ITT
D904	=	1N4148	PHILIPS
D906	=	1N4148	PHILIPS
D907	=	1N4148	PHILIPS
D908	=	1N4148	PHILIPS
D909	=	1N4148	PHILIPS
D910	=	1N4148	PHILIPS
D911	=	1N4148	PHILIPS
D912	=	BYV26B	PHILIPS
D913	=	1N825	CDI
F100A	=	FUSE 5X20 8T	220V
F100B	=	FUSE 5X20 16T	110V
F101A	=	FUSE 5X20 8T	220V
F101B	=	FUSE 5X20 16T	110V
F300	=	FUSE 6X32 6.3FF	
F500	=	FUSE 5X20 1T	SCHURT
F501	=	FUSE 0.5A/450VDC BUSS	
F600	=	FUSE PTC 0.65A	BOURNS
F601	=	FUSE PTC 0.65A	BOURNS
IC500	=	UC3842	UNITRODE
IC602	=	TL084BCN	TEXAS
IC603	=	TL084BCN	TEXAS
IC604	=	OP177GP	AD
IC605	=	REF02HP	
IC606	=	TL084BCN	TEXAS
IC700	=	TL084BCN	TEXAS
IC701	=	L7805CV	ST
IC702	=	L7905CV	ST
IC900	=	HEF4046 BP	PHILIPS
IC901	=	HEF4011BD	PHILIPS
IC902	=	HEF4069UBD	PHILIPS
L100	=	XL257	DELTA
L101	=	XL257	DELTA
L102	=	XL258A	DELTA



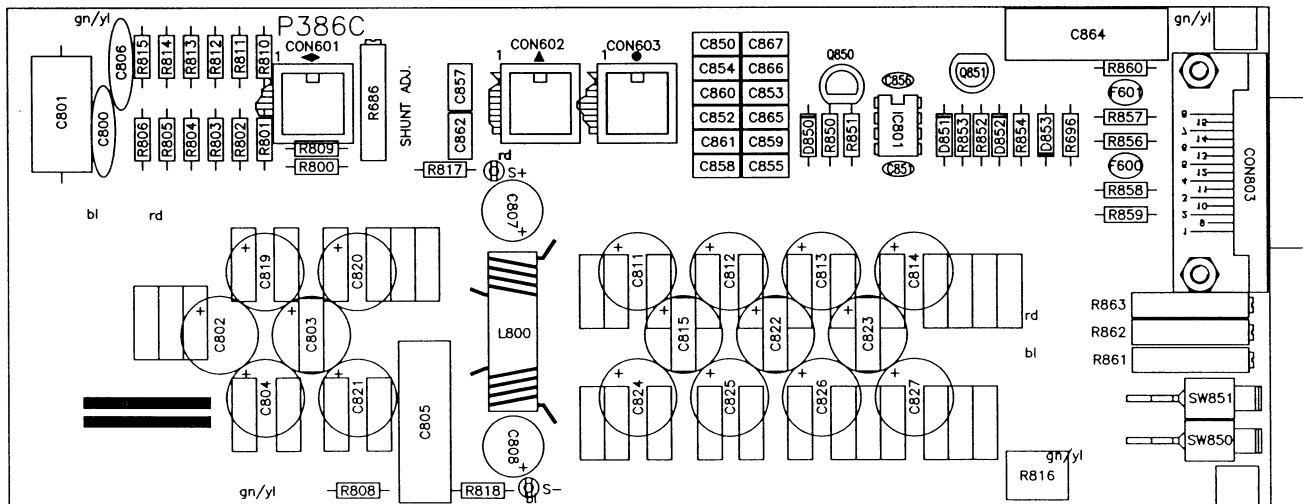
L300	=	XL259	DELTA
L301	=	XL260	DELTA
L302	=	XL260	DELTA
L303	=	XL237	DELTA
L600	=	XL245	DELTA
L601	=	15UH	SIEMENS
M1	=	3.5 DIGIT LED	DPM
M2	=	3.5 DIGIT LED	DPM
Q300	=	STH18NB40FI	
Q301	=	STH18NB40FI	
Q302	=	STH18NB40FI	
Q303	=	STH18NB40FI	
Q307	=	IRF9520	IR
Q308	=	IRF510	IR
Q309	=	BST100	PHILIPS
Q310	=	BST70	PHILIPS
Q500	=	STP3NB80FP	IR
Q609	=	BS170	ITT
Q611	=	PH2907A	PHILIPS
Q612	=	PH2222A	PHILIPS
Q613	=	PH2222A	PHILIPS
Q614	=	PH2222A	PHILIPS
Q615	=	BS170	ITT
Q616	=	BS170	ITT
Q617	=	BS170	ITT
Q618	=	BS250	ITT
Q619	=	PH2222A	PHILIPS
Q620	=	PH2907A	PHILIPS
Q900	=	PH2222A	PHILIPS
Q901	=	BS170	ITT
Q902	=	BS170	ITT
Q903	=	PH2907A	PHILIPS
Q904	=	PH2222A	PHILIPS
Q905	=	PH2222A	PHILIPS
Q906	=	PH2907A	PHILIPS
Q907	=	BS250	ITT
Q908	=	PH2222A	PHILIPS
Q909	=	PH2222A	PHILIPS
Q910	=	PH2907A	PHILIPS
R100	=	TNR23G471K	
R101	=	1M	MF/0.25W/1600V
R102	=	3.3	MF/3.0W/750V
R103	=	3.3	MF/3.0W/750V
R104	=	120	MF/2.0W/500V
R105	=	PTC 150	B754 SIEMENS
R106	=	PTC 150	B754 SIEMENS
R107	=	47	WW/6.0W/200V
R108	=	PTC 150	B754 SIEMENS
R200	=	39.2K	MF/0.6W/350V
R201	=	39.2K	MF/0.6W/350V
R202	=	39.2K	MF/0.6W/350V
R203	=	39.2K	MF/0.6W/350V
R300	=	6.81	MF/0.6W/350V
R301	=	6.81	MF/0.6W/350V
R302	=	150	MF/2.0W/500V
R303	=	150	MF/2.0W/500V
R304	=	6.81	MF/0.6W/350V
R305	=	6.81	MF/0.6W/350V

R308	=	2.21	MF/0.6W/350V
R309	=	4.75K	MF/0.6W/350V
R310	=	2.21	MF/0.6W/350V
R311	=	10K	MF/0.6W/350V
R500	=	33.2K	MF/0.6W/350V
R501	=	33.2K	MF/0.6W/350V
R502	=	33.2K	MF/0.6W/350V
R503	=	33.2K	MF/0.6W/350V
R504	=	6.81	MF/0.6W/350V
R505	=	68.1K	MF/0.6W/350V
R506	=	15K	MF/0.6W/350V
R507	=	392K	MF/0.6W/350V
R508	=	8.25K	MF/0.6W/350V
R509	=	CR	MF/0.6W/250V
R510	=	681K	MF/0.6W/350V
R511	=	475	MF/0.6W/350V
R512	=	221	MF/0.6W/350V
R513	=	10K	MF/0.6W/350V
R514	=	5.62	MF/0.6W/350V
R515	=	2.2K	MF/2.0W/500V
R516	=	2.2K	MF/2.0W/500V
R628	=	562K	MF/0.6W/350V
R629	=	10K	MF/0.6W/350V
R630	=	12.1K	MF/0.6W/350V
R631	=	100K	MF/0.6W/350V
R632	=	10K	MF/0.6W/350V
R633	=	56.2K	MF/0.6W/350V
R634	=	10K	MF/0.6W/350V
R635	=	332	MF/0.6W/350V
R636	=	22.1	MF/0.6W/350V
R637	=	681	MF/0.6W/350V
R638	=	681	MF/0.6W/350V
R639	=	2.21K	MF/0.6W/350V
R640	=	6.81K	MF/0.6W/350V
R641	=	1K	MF/0.6W/350V
R642	=	1K	MF/0.6W/350V
R644	=	4.75K	MF/0.6W/350V
R646	=	10K	MF/0.6W/350V
R647	=	4.75K	MF/0.6W/350V
R649	=	4.75K	MF/0.6W/350V
R650	=	4.75K	MF/0.6W/350V
R651	=	82.5K	MF/0.6W/350V
R652	=	10K TRIMPOTM	20 TURNS
R653	=	100K	MF/0.6W/350V
R654	=	100K	MF/0.6W/350V
R655	=	825	MF/0.6W/350V
R656	=	825	MF/0.6W/350V
R657	=	10	MF/0.6W/350V
R658	=	10	MF/0.6W/350V
R659	=	10K	MF/0.6W/350V
R660	=	10K	MF/0.6W/350V
R661	=	10K	MF/0.6W/350V
R662	=	1K	MF/0.6W/350V
R663	=	4.75K	MF/0.6W/350V
R665	=	332	MF/0.6W/350V
R666	=	825	MF/0.6W/350V
R667	=	10K	MF/0.6W/350V
R668	=	1K	MF/0.6W/350V



R669	=	10K	MF/0.6W/350V
R670	=	2.21K	MF/0.6W/350V
R671	=	2.21K	MF/0.6W/350V
R672	=	2.21K	MF/0.6W/350V
R673	=	2.21K	MF/0.6W/350V
R674	=	2.21K	MF/0.6W/350V
R675	=	475	MF/0.6W/350V
R676	=	10K	MF/0.6W/350V
R677	=	3.32K	MF/0.6W/350V
R678	=	4.75K	MF/0.6W/350V
R679	=	4.75K	MF/0.6W/350V
R680	=	4.75K	MF/0.6W/350V
R681	=	6.81K	MF/0.6W/350V
R682	=	2.2M	MF/0.25W/1600V
R683	=	4.75K	MF/0.6W/350V
R684	=	4.75K	MF/0.6W/350V
R685	=	2.21K	MF/0.6W/350V
R686	=	10K TRIMPOTM	20 TURNS
R687	=	1K	MF/0.6W/350V
R688	=	150K	MF/0.6W/350V
R689	=	4.75K	MF/0.6W/350V
R690	=	4.75K	MF/0.6W/350V
R691	=	10M	MF/0.25W/1600V
R692	=	332	MF/0.6W/350V
R693	=	1K	MF/0.6W/350V
R694	=	10K	MF/0.6W/350V
R695	=	26.7K	MF/0.6W/350V
R696	=	475	MF/0.6W/350V
R697	=	1K	MF/0.6W/350V
R698	=	47.5	MF/0.6W/350V
R699	=	47.5K	MF/0.6W/350V
R700	=	5K POTM	10 TURNS
R701	=	5K POTM	10 TURNS
R702	=	5K POTM	10 TURNS
R703	=	1K	MF/0.6W/350V
R704	=	4.75K	MF/0.6W/350V
R705	=	3.92K	MF/0.6W/350V
R706	=	2K TRIMPOTM	20 TURNS
R707	=	3.92K	MF/0.6W/350V
R708	=	2K TRIMPOTM	20 TURNS
R709	=	CR	MF/0.6W/250V
R710	=	1K	MF/0.6W/350V
R711	=	1M	MF/0.25W/1600V
R712	=	10K TRIMPOTM	20 TURNS
R713	=	CR	MF/0.6W/250V
R714	=	1K	MF/0.6W/350V
R715	=	1M	MF/0.25W/1600V
R716	=	10K TRIMPOTM	20 TURNS
R717	=	562	MF/0.6W/350V
R718	=	562	MF/0.6W/350V
R719	=	100	MF/0.6W/350V
R720	=	100K	MF/0.6W/350V
R721	=	100	MF/0.6W/350V
R722	=	100K	MF/0.6W/350V
R856	=	12.1	MF/0.6W/350V
R857	=	12.1	MF/0.6W/350V
R858	=	12.1	MF/0.6W/350V
R859	=	12.1	MF/0.6W/350V

R860	=	12.1	MF/0.6W/350V
R861	=	5K TRIMPOT	OPTION
R862	=	5K TRIMPOT	OPTION
R863	=	5K TRIMPOT	OPTION
R900	=	100	MF/0.6W/350V
R901	=	332	MF/0.6W/350V
R902	=	332	MF/0.6W/350V
R903	=	56.2K	MF/0.6W/350V
R904	=	CR	MF/0.6W/250V
R905	=	12.1K	MF/0.6W/350V
R906	=	12.1K	MF/0.6W/350V
R907	=	12.1K	MF/0.6W/350V
R908	=	10K	MF/0.6W/350V
R909	=	10K	MF/0.6W/350V
R910	=	10K	MF/0.6W/350V
R911	=	10K	MF/0.6W/350V
R912	=	10K	MF/0.6W/350V
R913	=	475	MF/0.6W/350V
R914	=	475	MF/0.6W/350V
R915	=	1.82K	MF/0.6W/350V
R916	=	2.21K	MF/0.6W/350V
R917	=	18.2	MF/0.6W/350V
R918	=	6.81K	MF/0.6W/350V
R919	=	1K	MF/0.6W/350V
R920	=	1K	MF/0.6W/350V
R921	=	3.32K	MF/0.6W/350V
R922	=	3.32K	MF/0.6W/350V
R923	=	100	MF/0.6W/350V
R924	=	10K	MF/0.6W/350V
R925	=	12.1K	MF/0.6W/350V
R926	=	100	MF/0.6W/350V
R927	=	8.25K	MF/0.6W/350V
R928	=	18.2	MF/0.6W/350V
R929	=	12.1K	MF/0.6W/350V
R930	=	2.21K	MF/0.6W/350V
R931	=	1K	MF/0.6W/350V
R932	=	1K	MF/0.6W/350V
R933	=	3.32	MF/0.6W/350V
R934	=	10K	MF/0.6W/350V
R935	=	56.2K	MF/0.6W/350V
R998	=	8.2M	MF/0.25W/1600V
R999	=	8.2M	MF/0.25W/1600V
SW100	=	SWITCH DPST	15A TGL
SW101	=	VOLTAGE SELECT	110/220V
SW600	=	SWITCH THERM	90 DEGR C
SW700	=	SWITCH DPDT	1A PUSH
SW701	=	SWITCH DPDT	1A PUSH
SW850	=	SWITCH SPDT	3A SLVE
SW851	=	SWITCH SPDT	3A SLVE
T300	=	XT265	DELTA
T301	=	XT242	DELTA
T303	=	XT265	DELTA
T500	=	XT239	DELTA



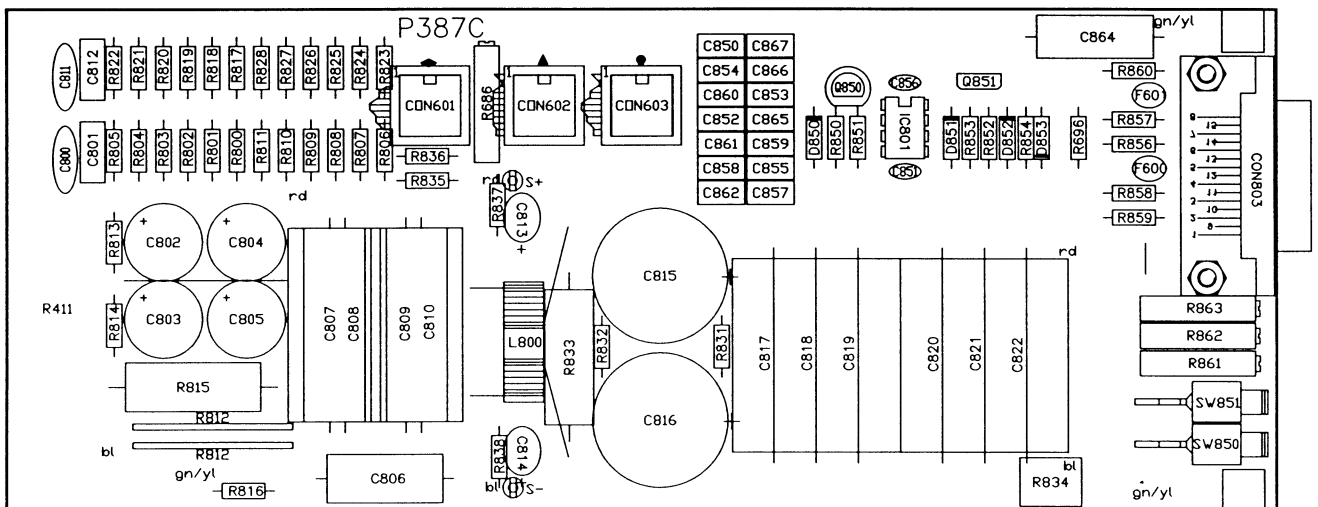
OUTPUT SECTION SM1540

C400	=	2.7NF 1000V	POLYPROP
C401	=	10NF 1000V	MET POLYES
C402	=	10NF 1000V	MET POLYES
C403	=	10NF 1000V	MET POLYES
C800	=	10NF 250V	MET POLYES
C801	=	10NF 1000V	MET POLYES
C802	=	1000UF 25V	CHEMI-CON
C803	=	1000UF 25V	CHEMI-CON
C804	=	1000UF 25V	CHEMI-CON
C805	=	0.22UF 250V	RMS X2
C806	=	10NF 250V	MET POLYES
C807	=	15UF 16V	SOLID ALU
C808	=	15UF 16V	SOLID ALU
C809	=	0.1UF 630V	MET POLYES
C810	=	0.1UF 630V	MET POLYES
C811	=	1000UF 25V	CHEMI-CON
C812	=	1000UF 25V	CHEMI-CON
C813	=	1000UF 25V	CHEMI-CON
C814	=	1000UF 25V	CHEMI-CON
C815	=	1000UF 25V	CHEMI-CON
C816	=	330NF 50V	MULT LAYER
C817	=	330NF 50V	MULT LAYER
C818	=	330NF 50V	MULT LAYER
C819	=	1000UF 25V	CHEMI-CON
C820	=	1000UF 25V	CHEMI-CON
C821	=	1000UF 25V	CHEMI-CON
C822	=	1000UF 25V	CHEMI-CON
C823	=	1000UF 25V	CHEMI-CON
C824	=	1000UF 25V	CHEMI-CON
C825	=	1000UF 25V	CHEMI-CON
C851	=	100PF 1000V	CERAMIC
C856	=	100PF 1000V	CERAMIC
D400	=	60HQ100	IR
D401	=	60HQ100	IR
D402	=	60HQ100	IR
D403	=	60HQ100	IR
D850	=	BZX55-C3V3	ITT
D851	=	1N4148	PHILIPS
D852	=	1N4148	PHILIPS
D853	=	ZPD 8.2	ITT
IC801	=	LM358	ST
L400	=	XL270	DELTA
L401	=	XL298	DELTA
L402	=	XL488	DELTA
L403	=	XL488	DELTA
L404	=	XL488	DELTA
L800	=	XL275	DELTA
L801	=	XL279	DELTA
Q850	=	BS170	ITT
Q851	=	BSS92	PHILIPS
R400	=	56	MF/3.0W/750V
R401	=	56	MF/3.0W/750V
R402	=	56	MF/3.0W/750V
R403	=	56	MF/3.0W/750V
R404	=	PTC 70	C880 SIEMENS
R405	=	PTC 70	C880 SIEMENS
R406	=	PTC 70	C880 SIEMENS

R800	=	2.74K	MF/0.1%/TC=25
R801	=	2.74K	MF/0.1%/TC=25
R802	=	2.74K	MF/0.1%/TC=25
R803	=	0.137	R/M
R804	=	1.0	MF/0.6W/350V
R805	=	2.74K	MF/0.6W/350V
R806	=	2.74K	MF/0.6W/350V
R807	=	2.74K	MF/0.6W/350V
R808	=	562	MF/0.6W/350V
R809	=	100	MF/0.6W/350V
R810	=	TNR12G821K	MARCON
R811	=	1.0	MF/0.6W/350V
R812	=	1.0	MF/0.6W/350V
R835	=	475K	MF/0.6W/350V
R836	=	1.0	MF/0.6W/350V
R850	=	3.32K	MF/0.6W/350V
R851	=	10K	MF/0.6W/350V
R852	=	3.32K	MF/0.6W/350V
R853	=	1K	MF/0.6W/350V
R854	=	10K	MF/0.6W/350V
T302	=	XT264	DELTA

OUTPUT SECTION SM7020

C400	=	1000PF 1600V	WIMA
C401	=	1000PF 1600V	WIMA
C402	=	4700PF 63V	POLYPROP
C403	=	4700PF 63V	POLYPROP
C404	=	4700PF 63V	POLYPROP
C405	=	220PF 100V	POLYPROP
C406	=	10NF 250V	MET POLYES
C407	=	10NF 250V	MET POLYES
C408	=	10NF 1000V	MET POLYES
C409	=	10NF 1000V	MET POLYES
C410	=	15UF 16V	SOLID ALU
C800	=	5000PF 250V	CERAMIC
C801	=	0.1UF 630V	MET POLYES
C802	=	100UF 100V	CHEM-CON
C803	=	100UF 100V	CHEM-CON
C804	=	100UF 100V	CHEM-CON
C805	=	0.22UF 250V	RMS X2
C806	=	5000PF 250V	CERAMIC
C807	=	22UF 100V	CHEMI-CON
C808	=	22UF 100V	CHEMI-CON
C809	=	0.1UF 630V	MET POLYES
C810	=	0.1UF 630V	MET POLYES
C811	=	100UF 100V	CHEM-CON
C812	=	100UF 100V	CHEM-CON
C813	=	100UF 100V	CHEM-CON
C814	=	100UF 100V	CHEM-CON
C815	=	100UF 100V	CHEM-CON
C816	=	220NF 100V	MULT LAYER
C817	=	220NF 100V	MULT LAYER
C818	=	220NF 100V	MULT LAYER
C819	=	100UF 100V	CHEM-CON
C820	=	100UF 100V	CHEM-CON
C821	=	100UF 100V	CHEM-CON
C822	=	100UF 100V	CHEM-CON
C823	=	100UF 100V	CHEM-CON
C824	=	100UF 100V	CHEM-CON

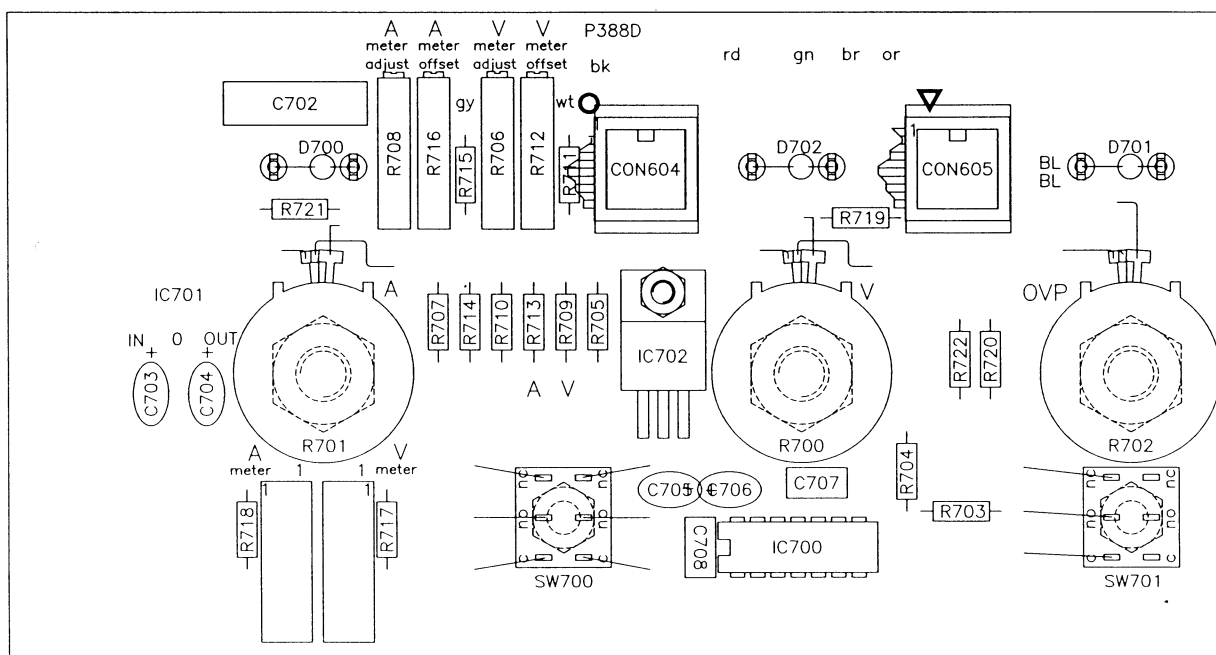


C825	=	100UF 100V	CHEM-CON
C826	=	100UF 100V	CHEM-CON
C827	=	100UF 100V	CHEM-CON
C851	=	100PF 1000V	CERAMIC
C856	=	100PF 1000V	CERAMIC
C870	=	2200PF 250V	CERAMIC
C871	=	470PF 400V RMS	SAFETY
C872	=	2200PF 250V	CERAMIC
C873	=	2200PF 250V	CERAMIC
D400	=	BYV52-PI-200	ST
D402	=	BYV52-PI-200	ST
D404	=	BZX85-C51	ITT
D405	=	BZX85-C51	ITT
D406	=	BZX85-C51	ITT
D407	=	BZX85-C15	ITT
D408	=	BZX85-C15	ITT
D409	=	BZX85-C15	ITT
D410	=	1N4148	PHILIPS
D411	=	1N4148	PHILIPS
D412	=	1N4148	PHILIPS
D445	=	BZX85-C36	ITT
D446	=	BZX85-C36	ITT
D447	=	1N4148	PHILIPS
D448	=	1N4148	PHILIPS
D850	=	BZX55-C3V3	ITT
D851	=	1N4148	PHILIPS
D852	=	1N4148	PHILIPS
D853	=	ZPD 8.2	ITT
IC400	=	HEF4011BD	PHILIPS
IC401	=	HEF4069UBD	PHILIPS
IC801	=	LM358	ST
L400	=	XL266	DELTA
L401	=	XL266	DELTA
L402	=	XL266	DELTA
L403	=	XL266	DELTA
L404	=	XL268	DELTA
L800	=	XL273	DELTA
L801	=	XL277	DELTA
Q400	=	IRFIZ44	IR
Q401	=	IRFIZ44	IR
Q402	=	IRFIZ44	IR
Q403	=	BS170	ITT
Q404	=	BS170	ITT
Q850	=	BS170	ITT
Q851	=	BSS92	PHILIPS
R400	=	68	MF/3.0W/750V
R401	=	68	MF/3.0W/750V
R402	=	1K	MF/0.6W/350V
R403	=	1K	MF/0.6W/350V
R404	=	1K	MF/0.6W/350V
R405	=	PTC 600	C884 SIEMENS
R406	=	PTC 600	C884 SIEMENS
R407	=	PTC 600	C884 SIEMENS
R417	=	10K	MF/0.6W/350V
R418	=	10K	MF/0.6W/350V
R419	=	2.21K	MF/0.6W/350V
R420	=	4.75K	MF/0.6W/350V

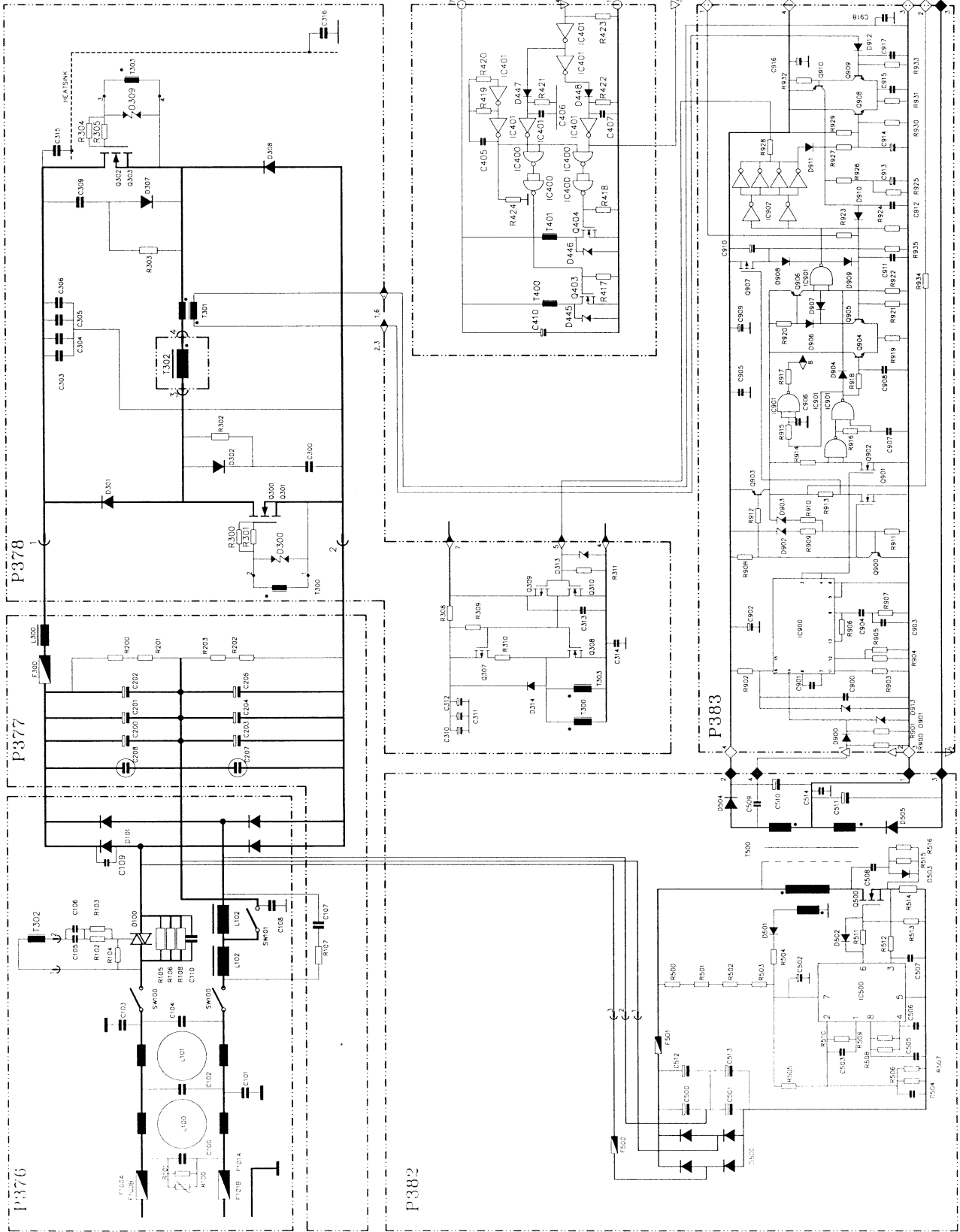
R421	=	6.81K	MF/0.6W/350V
R422	=	6.81K	MF/0.6W/350V
R423	=	10K	MF/0.6W/350V
R424	=	10K	MF/0.6W/350V
R800	=	1.8M	MF/0.25W/1600V
R801	=	8.25K	MF/0.6W/350V
R802	=	8.25K	MF/0.6W/350V
R803	=	6.81K	MF/0.6W/350V
R804	=	6.81K	MF/0.6W/350V
R805	=	5.62K	MF/0.6W/350V
R806	=	2.74K	MF/0.6W/350V
R807	=	0.137	R/M
R808	=	1.0	MF/0.6W/350V
R809	=	1.0	MF/0.6W/350V
R810	=	5K62	MF/0.1%/TC=25
R811	=	7.50K	MF/0.1%/TC=25
R812	=	7.50K	MF/0.1%/TC=25
R813	=	7.50K	MF/0.1%/TC=25
R814	=	7.50K	MF/0.1%/TC=25
R815	=	2.74K	MF/0.1%/TC=25
R816	=	TNR12G821K	MARCON
R817	=	4.75K	MF/0.6W/350V
R818	=	100	MF/0.6W/350V
R850	=	3.32K	MF/0.6W/350V
R851	=	10K	MF/0.6W/350V
R852	=	3.32K	MF/0.6W/350V
R853	=	1K	MF/0.6W/350V
R854	=	10K	MF/0.6W/350V
T302	=	XT262	DELTA
T400	=	XT271	DELTA
T401	=	XT272	DELTA

OUTPUT SECTION SM3004

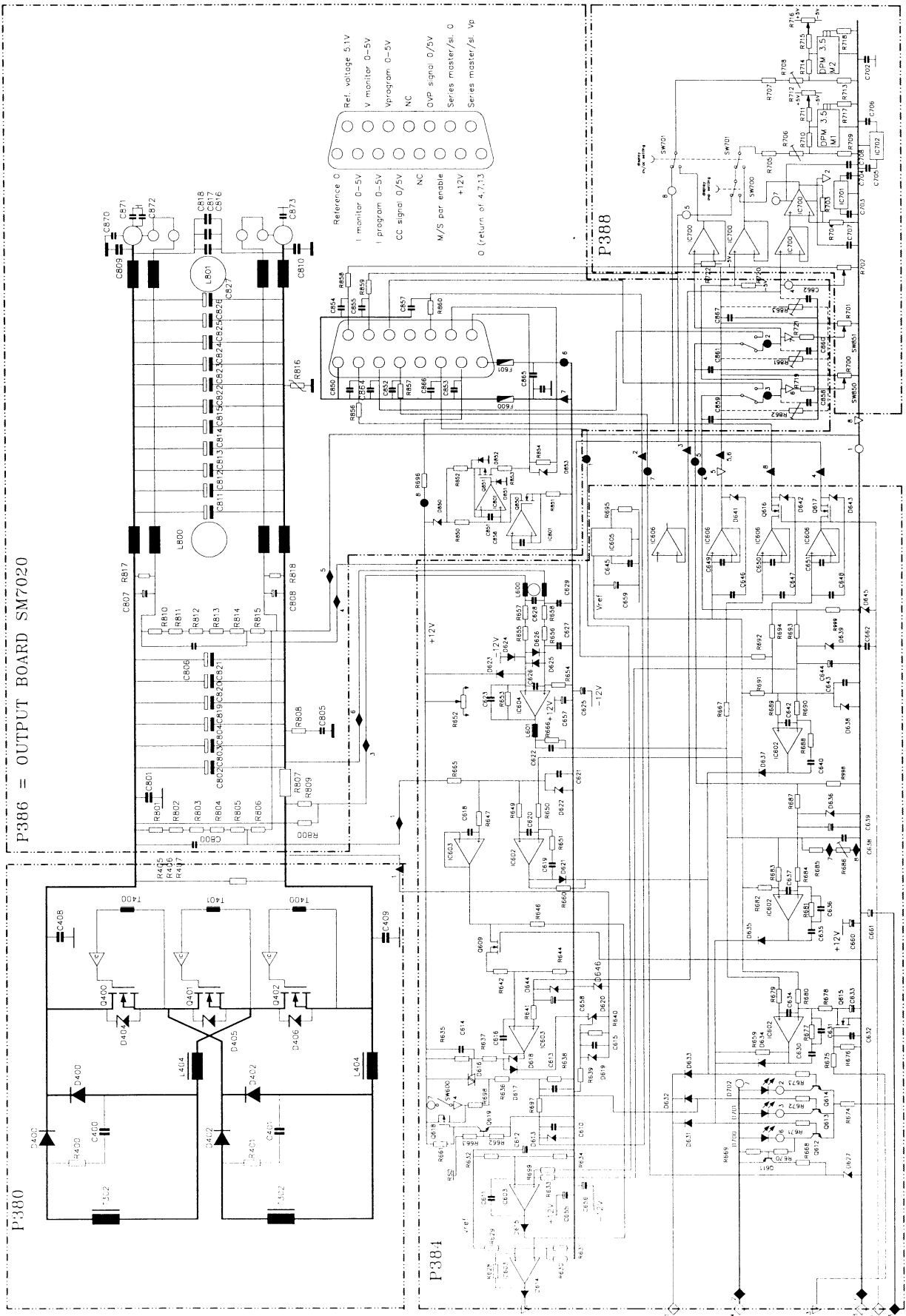
C402	=	4700PF 63V	POLYPROP
C403	=	68NF 250V RMS	X2
C404	=	10NF 1000V	MET POLYES
C405	=	220PF 100V	POLYPROP
C407	=	10NF 250V	MET POLYES
C410	=	15UF 16V	SOLID ALU
C425	=	VJ1206 470PF500V	VITRA
C426	=	VJ1206 470PF500V	VITRA
C427	=	VJ1206 470PF500V	VITRA
C428	=	680PF 500V NPO	VITR
C429	=	680PF 500V NPO	VITR
C430	=	VJ1206 470PF500V	VITRA
C431	=	VJ1206 470PF500V	VITRA
C432	=	VJ1206 470PF500V	VITRA
C433	=	680PF 500V NPO	VITR
C434	=	680PF 500V NPO	VITR
C435	=	VJ1206 470PF500V	VITRA
C436	=	VJ1206 470PF500V	VITRA
C437	=	VJ1206 470PF500V	VITRA
C438	=	VJ1206 470PF500V	VITRA
C439	=	VJ1206 470PF500V	VITRA
C440	=	VJ1206 470PF500V	VITRA



C441	=	VJ1206 470PF500V	VITRA	Q400	=	STP11NB 40FP	ST
C442	=	VJ1206 470PF500V	VITRA	Q404	=	BS170	ITT
C443	=	VJ1206 470PF500V	VITRA	Q850	=	BS170	ITT
C444	=	VJ1206 470PF500V	VITRA	Q851	=	ZVP 0540	ZETEX
C800	=	2200PF 250V	CERAMIC	R408	=	1K	MF/0.6W/350V
C801	=	47NF 250V	MET POLYES	R411	=	PTC 1K1	SIEMENS
C802	=	15UF 200V	CHEMI-CON	R418	=	10K	MF/0.6W/350V
C803	=	15UF 200V	CHEMI-CON	R419	=	2.21K	MF/0.6W/350V
C804	=	15UF 200V	CHEMI-CON	R420	=	4.75K	MF/0.6W/350V
C805	=	15UF 200V	CHEMI-CON	R422	=	6.81K	MF/0.6W/350V
C806	=	68NF 250V RMS	X2	R423	=	10K	MF/0.6W/350V
C807	=	1UF 400V	MET POLYES	R424	=	10K	MF/0.6W/350V
C808	=	1UF 400V	MET POLYES	R425	=	220	MF/2.0W/500V
C809	=	1UF 400V	MET POLYES	R426	=	220	MF/2.0W/500V
C810	=	1UF 400V	MET POLYES	R427	=	220	MF/2.0W/500V
C811	=	2200PF 250V	CERAMIC	R428	=	220	MF/2.0W/500V
C812	=	47NF 250V	MET POLYES	R429	=	220	MF/2.0W/500V
C813	=	15UF 16V	SOLID ALU	R430	=	220	MF/2.0W/500V
C814	=	15UF 16V	SOLID ALU	R431	=	220	MF/2.0W/500V
C815	=	220UF 200V	CHEMI-CON	R432	=	220	MF/2.0W/500V
C816	=	220UF 200V	CHEMI-CON	R433	=	220	MF/2.0W/500V
C817	=	1UF 400V	MET POLYES	R434	=	220	MF/2.0W/500V
C818	=	1UF 400V	MET POLYES	R435	=	220	MF/2.0W/500V
C819	=	1UF 400V	MET POLYES	R436	=	220	MF/2.0W/500V
C820	=	1UF 400V	MET POLYES	R437	=	220	MF/2.0W/500V
C821	=	1UF 400V	MET POLYES	R438	=	220	MF/2.0W/500V
C822	=	1UF 400V	MET POLYES	R439	=	220	MF/2.0W/500V
C823	=	68NF 250V RMS	X2	R440	=	220	MF/2.0W/500V
C824	=	1UF 400V	MET POLYES	R441	=	220	MF/2.0W/500V
C825	=	68NF 250V RMS	X2	R442	=	220	MF/2.0W/500V
C851	=	100PF 1000V	CERAMIC	R443	=	220	MF/2.0W/500V
C856	=	100PF 1000V	CERAMIC	R444	=	220	MF/2.0W/500V
C864	=	10NF 1000V	MET POLYES	R800	=	15K	MF/0.6W/350V
C870	=	2200PF 250V	CERAMIC	R801	=	15K	MF/0.6W/350V
C872	=	2200PF 250V	CERAMIC	R802	=	18.2K	MF/0.6W/350V
C873	=	2200PF 250V	CERAMIC	R803	=	18.2K	MF/0.6W/350V
D400	=	BYW81-PI-200	ST	R804	=	18.2K	MF/0.6W/350V
D401	=	BYW81-PI-200	ST	R805	=	2.74K	MF/0.6W/350V
D402	=	BYW81-PI-200	ST	R806	=	1.82K	MF/0.6W/350V
D403	=	BYW81-PI-200	ST	R807	=	15K	MF/0.6W/350V
D404	=	BYW81-PI-200	ST	R808	=	15K	MF/0.6W/350V
D410	=	BYW81-PI-200	ST	R809	=	15K	MF/0.6W/350V
D411	=	BYW81-PI-200	ST	R810	=	15K	MF/0.6W/350V
D412	=	BYW81-PI-200	ST	R811	=	15K	MF/0.6W/350V
D413	=	BYW81-PI-200	ST	R812	=	SHUNT 50MV	DELTA
D414	=	BYW81-PI-200	ST	R813	=	150K	MF/0.6W/350V
D420	=	BYW81-PI-200	ST	R814	=	150K	MF/0.6W/350V
D421	=	BYW81-PI-200	ST	R815	=	0.39R	WW/6.0W/200V
D422	=	BYW81-PI-200	ST	R816	=	1.0	MF/0.6W/350V
D423	=	BYW81-PI-200	ST	R817	=	14.7K	MF/0.1%/TC=25
D424	=	BYW81-PI-200	ST	R818	=	14.7K	MF/0.1%/TC=25
D430	=	BYW81-PI-200	ST	R819	=	14.7K	MF/0.1%/TC=25
D431	=	BYW81-PI-200	ST	R820	=	14.7K	MF/0.1%/TC=25
D432	=	BYW81-PI-200	ST	R821	=	14.7K	MF/0.1%/TC=25
D433	=	BYW81-PI-200	ST	R822	=	2.74K	MF/0.1%/TC=25
D434	=	BYW81-PI-200	ST	R823	=	14.7K	MF/0.1%/TC=25
D440	=	STTA 806 DI	ST	R824	=	14.7K	MF/0.1%/TC=25
D442	=	STTA 806 DI	ST	R825	=	14.7K	MF/0.1%/TC=25
D443	=	BZX85-C15	ITT	R826	=	14.7K	MF/0.1%/TC=25
D444	=	1N4148	PHILIPS	R827	=	14.7K	MF/0.1%/TC=25
D446	=	BZX85-C36	ITT	R828	=	14.7K	MF/0.1%/TC=25
D448	=	1N4148	PHILIPS	R831	=	150K	MF/0.6W/350V
D850	=	BZX55-C3V3	ITT	R832	=	150K	MF/0.6W/350V
D851	=	1N4148	PHILIPS	R833	=	0.39R	WW/6.0W/200V
D852	=	1N4148	PHILIPS	R834	=	TNR12G821K	MARCON
D853	=	ZPD 8.2	ITT	R835	=	5.6M	MF/0.25W/1600V
IC400	=	HEF4011BD	PHILIPS	R836	=	1.0	MF/0.6W/350V
IC401	=	HEF4069UBD	PHILIPS	R837	=	8.25K	MF/0.6W/350V
IC801	=	LM358	ST	R838	=	100	MF/0.6W/350V
L400	=	XL485	DELTA	R850	=	3.32K	MF/0.6W/350V
L401	=	XL485	DELTA	R851	=	10K	MF/0.6W/350V
L402	=	XL269	DELTA	R852	=	3.32K	MF/0.6W/350V
L403	=	XL280	DELTA	R853	=	1K	MF/0.6W/350V
L404	=	XL280	DELTA	R854	=	10K	MF/0.6W/350V
L405	=	XL300	DELTA	T302	=	XT263	DELTA
L800	=	XL274	DELTA	T401	=	XT272	DELTA
L801	=	XL279	DELTA				

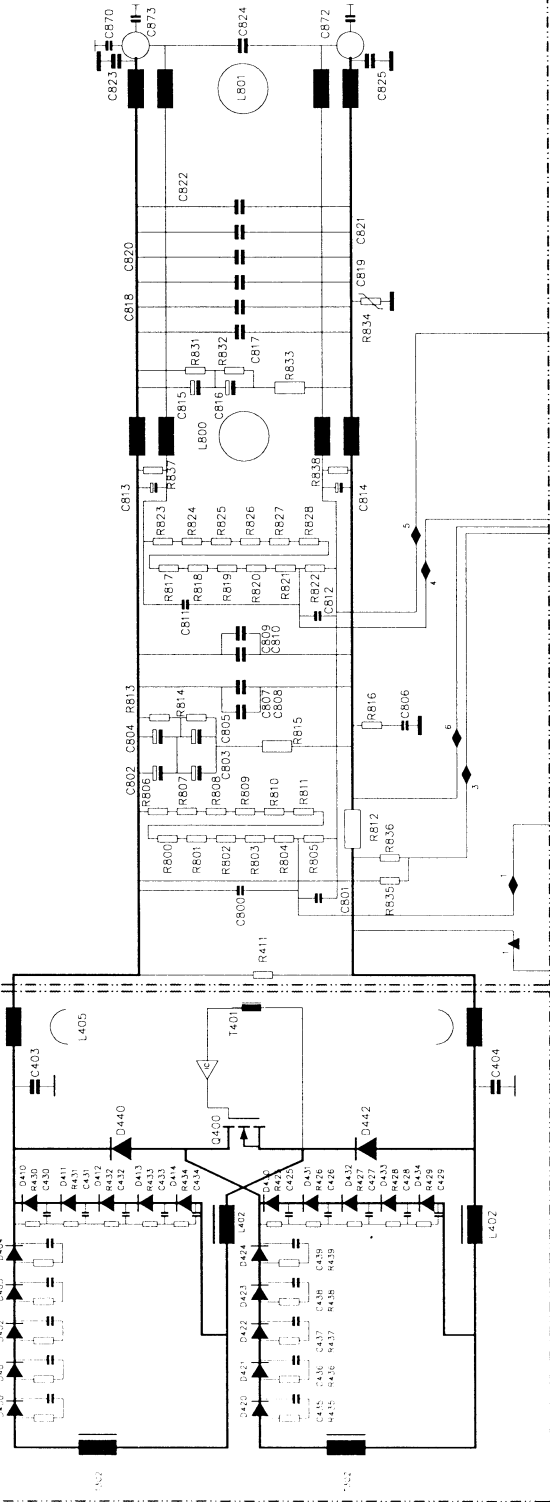


P386 = OUTPUT BOARD SM7020

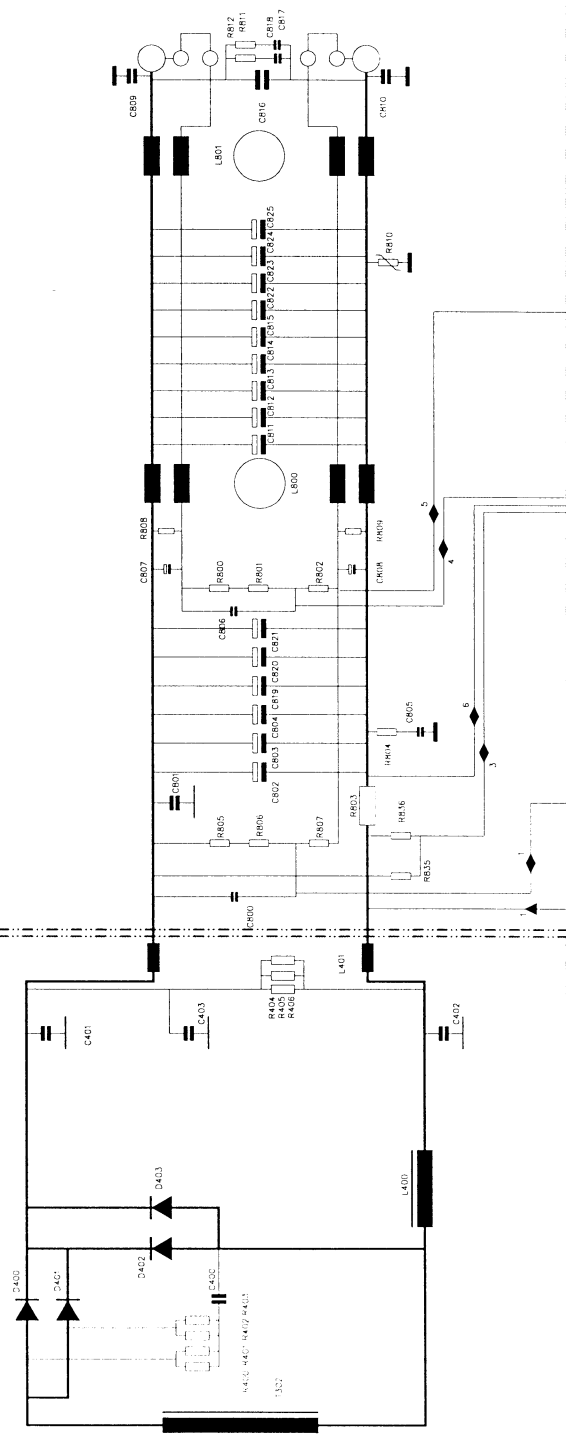


P381

P387 = OUTPUT BOARD SM3004



P385 = OUTPUT BOARD SM1540





EC Declaration of Conformity

We

Delta Elektronika
P.O. BOX 27
4300 AA Zierikzee
The Netherlands

declare under sole responsibility that the following Power Supplies:

SM 1540-D
SM 7020-D
SM 3004-D

meet the intent of Directives 89/336/EEC; 92/31/EEC; 93/68/EEC for Electromagnetic Compatibility and Directives 73/23/EEC; 93/68/EEC regarding Electrical Safety. (Low Voltage Directive) Compliance was demonstrated to the following specification as listed in the official Journal of the European Communities:

EN 50081-1 Generic Emissions: (residential, light industrial)

EN 55022	Radiated, Class B
EN 55022	Conducted, Class B
EN 61000-3-2	Power Harmonics
EN 61000-3-3	Voltage fluctuation and flicker

EN 50082-1 Generic Immunity: (residential, light industrial)

EN 50082-2 Generic Immunity: (industrial environment)

EN 61000-4-2	Electrostatic Discharge	Level 3.
EN 61000-4-4	Electrical Fast Transients / Bursts	Level 4.
ENV 50140	Radiated electromagnetic fields	Level 3.
ENV 50141	Conducted electromagnetic fields	Level 3.
EN 61000-4-5	Surge on DC output	Level 3, differential mode.
EN 61000-4-5	Surge on DC output	Level 2, common mode.
EN 61000-4-5	Surge on line input	Level 4.
EN 61000-4-11	Voltage variations and dips	

EN 60950 Safety of IT equipment

IEC 1010 Safety of electrical equipment for measurement, control and laboratory use

Managing director